

## SOLUCIONS: RESOLUCIÓ DE TRIANGLES NO RECTANGLES

1.

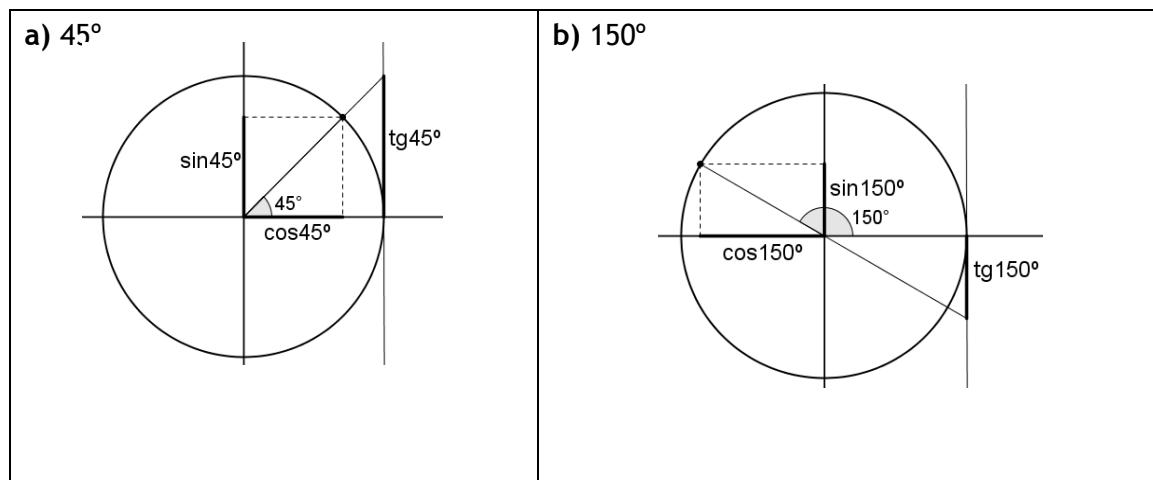
- |                       |                      |                     |                      |                     |                      |
|-----------------------|----------------------|---------------------|----------------------|---------------------|----------------------|
| a) $A = 100,29^\circ$ | $B = 36,18^\circ$    | $A = 43,53^\circ$   | k) $a_1 = 12,85$ cm  | $A_1 = 54,06^\circ$ | $B_1 = 70,94^\circ$  |
| b) No té solució      |                      |                     | $a_2 = 4,36$ cm      | $A_2 = 15,94^\circ$ | $B_2 = 109,06^\circ$ |
| c) $c = 14,4$ cm      | $b = 9,85$ cm        | $C = 150^\circ$     | l) $a = 2,5$ cm      | $b = 3,4$ cm        | $C = 115^\circ$      |
| d) $c = 4,8$ cm       | $A = 102,58^\circ$   | $B = 54,42^\circ$   | m) $c = 86,95$ cm    | $A = 18,77^\circ$   | $C = 138,23^\circ$   |
| e) $c = 11,41$ cm     | $B = 22,09^\circ$    | $C = 120,91^\circ$  | n) $A = 90^\circ$    | $B = 67,38^\circ$   | $C = 22,62^\circ$    |
| f) No té solució      |                      |                     | o) No té solució     |                     |                      |
| g) $c_1 = 6,67$ cm    | $B_1 = 66,83^\circ$  | $C_1 = 61,17^\circ$ | p) $b = 7,46$ cm     | $A = 33,26^\circ$   | $C = 120,94^\circ$   |
| $c_2 = 1,95$ cm       | $B_2 = 113,17^\circ$ | $C_2 = 14,83^\circ$ | q) $b = 36,59$ cm    | $B = 124,18^\circ$  | $C = 19,82^\circ$    |
| h) $c = 39,16$ cm     | $a = 77,13$ cm       | $A = 100^\circ$     | r) $a = 99,09$ m     | $c = 105,15$ m      | $B = 46^\circ$       |
| i) $A = 141,26^\circ$ | $B = 16,69^\circ$    | $C = 22,05^\circ$   | s) $A = 41,58^\circ$ | $B = 102,58^\circ$  | $C = 35,84^\circ$    |
| j) $a = 12,02$ cm     | $B = 94,9^\circ$     | $C = 32,10^\circ$   | t) $c = 16,66$ cm    | $A = 36,75^\circ$   | $B = 78,25^\circ$    |

2. 16,16 m      3. 526,17 km      4. 33,43 cm i 47,57 cm      5. 154,07 m

6. a) 51,44 m      b) 8,49 cm

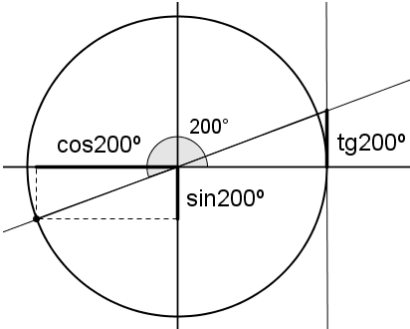
### Solucions dels exercicis de la teoria

#### Representació de les raons trigonomètriques d'angles situats en diferents quadrants



SOLUCIONS: RESOLUCIÓ DE TRIANGLES NO RECTANGLES

c)  $200^\circ$



d)  $300^\circ$

